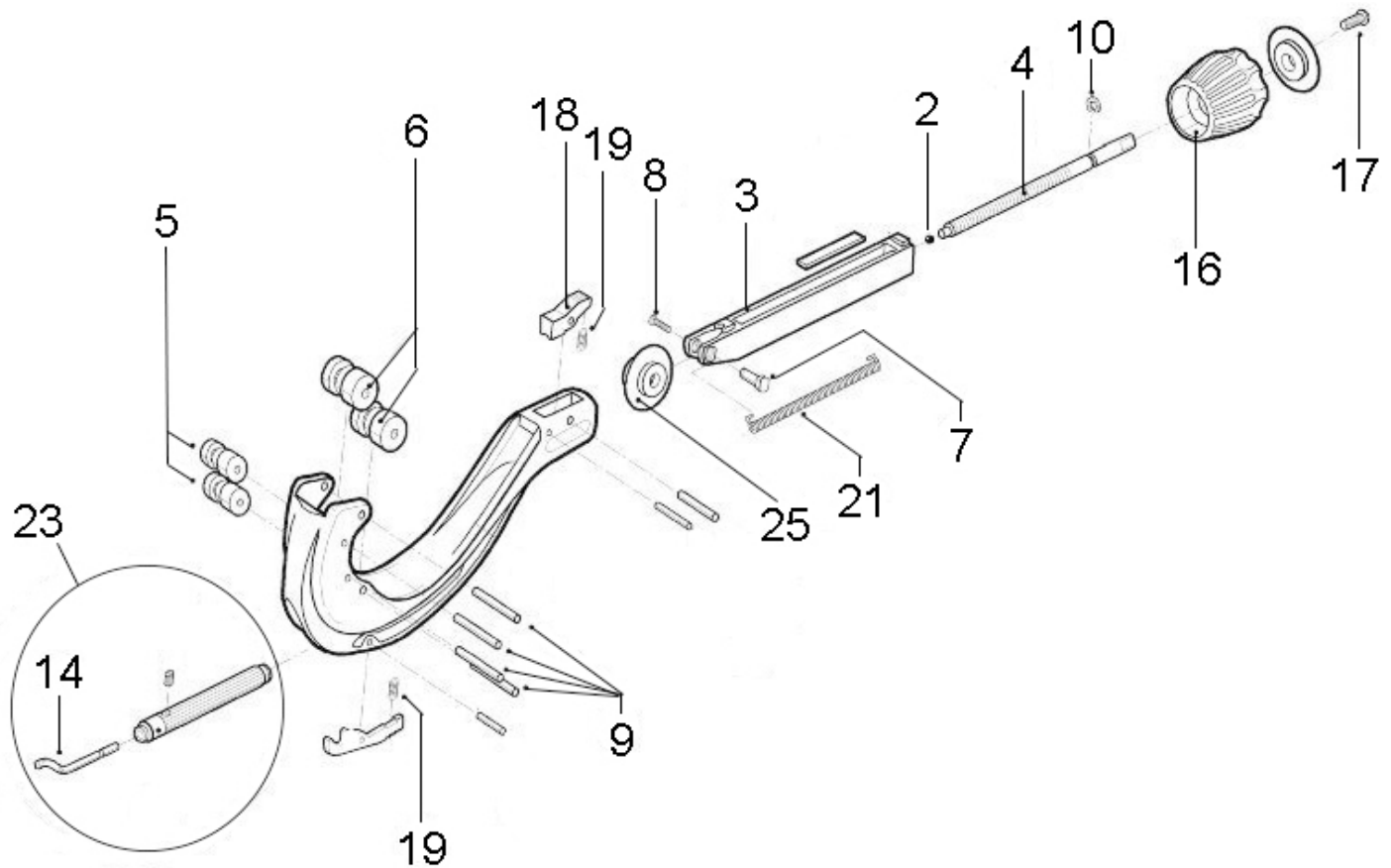


**TUBE CUTTER 67 PL**  
No. 70031

dated: 06/17



**TUBE CUTTER 67 PL**  
No. 70031

dated: 06/17

| Item no. | Description                                     | Article no. | Old article no. | Quantity |
|----------|---|-------------|-----------------|----------|
| 2        | Ball 5 mm DIN 5401                              | F88626      | F88626          | 1        |
| 3        | Sleigh for pipe cutter autom. size 1            | 1200001686  | 750000300       | 1        |
| 4        | Spindle for pipe cutter size 1                  | 750000400   | 7500004         | 1        |
| 5        | Implementation roller for pipe cutter small     | 750000500   | 7500005         | 2        |
| 6        | Implementation roller for pipe cutter big       | 750000600   | 7500006         | 2        |
| 7        | Cutting wheel axle two piece                    | 70042       | 70042           | 1        |
| 8        | Cutting wheel axle two piece                    | 70042       | 70042           | 1        |
| 9        | Clamp pin for implementation roller             | 750000900   | 7500009         | 4        |
| 10       | Safety washer 6 DIN 6799                        | FF56766     | 763002000       | 1        |
| 14       | HSS-Spare blade No. 1                           | 21652       | 21652           | 1        |
| 16       | Installation handle for pipe cutter             | 735002200   | 735001600       | 1        |
| 17       | Pan head screw M4x12                            | 735001700   | 7350017         | 1        |
| 18       | Locking segment for pipe cutter                 | 750001800   | 7500018         | 1        |
| 19       | Spring for lock ratchet                         | 763000800   | 7630008         | 1        |
| 21       | Spring for pipe cutter Size 1.                  | 70039       | 70039           | 1        |
| 23       | Pipe inside reamer cpl                          | 750004100   | 7500041         | 1        |
| 25       | Cutting wheel set (3 pcs.) for TC 67 PL         | 070028D     | 070028D         | 1        |
| 25       | Cutting wheel set (5 pcs.) for TC autom. Size 1 | 070017D     | 070017D         | 1        |